

# SHUNTS



**METRA BLANSKO**

## Main features

The shunt is a resistor connected in parallel with the measuring instrument so that only a part of the current measured flows through it. This resistor is chosen so that the current division is made in a known ratio. Separately -sold shunts are calibrated by that portion of current which passes through the shunt only. The shunt has its own accuracy class, which is at least one class better than the electric measuring instrument itself and is used for connection to specific types of instrument. By their application shunts comply with the **ČSN EN 60051-1 ed.2.**

## Design

Shunts are made in 4 basic models A- D. Models D are connected to the insulating base which is compatible with DIN rail. Shunts are delivered with the voltage drop 50 – 300 mV.

## Application

**Overload range:** continuously 1.2 times rated current  
5 s max.  $\leq 2,000$  A 5 times rated current  
> 2,000...10,000 A 2 times rated current

acc. to EN 60051-8:2000

**Surroundings:** regular - without mechanical impurities, aggressive steams and gases climatic conditions - ČSN EN 60721-3-3.

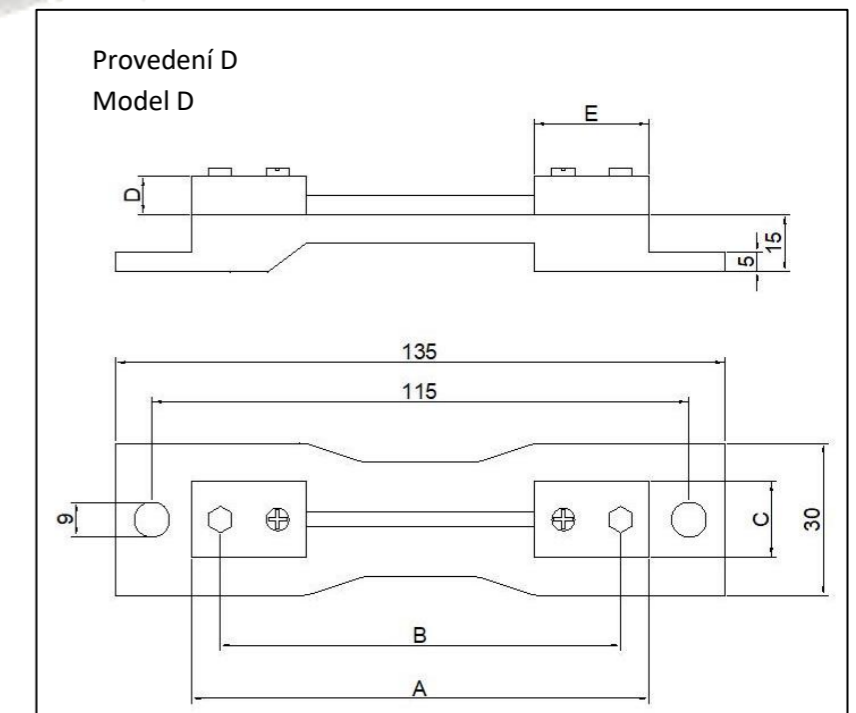
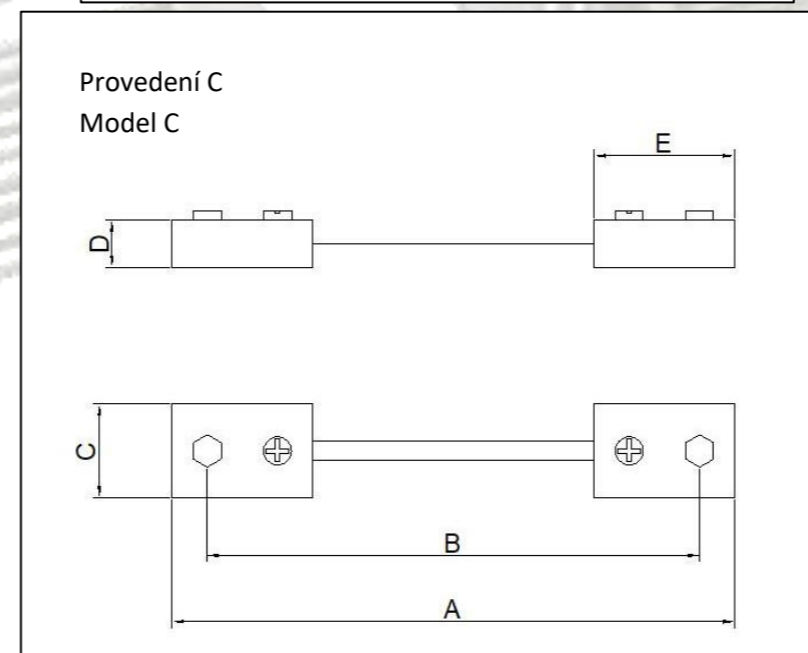
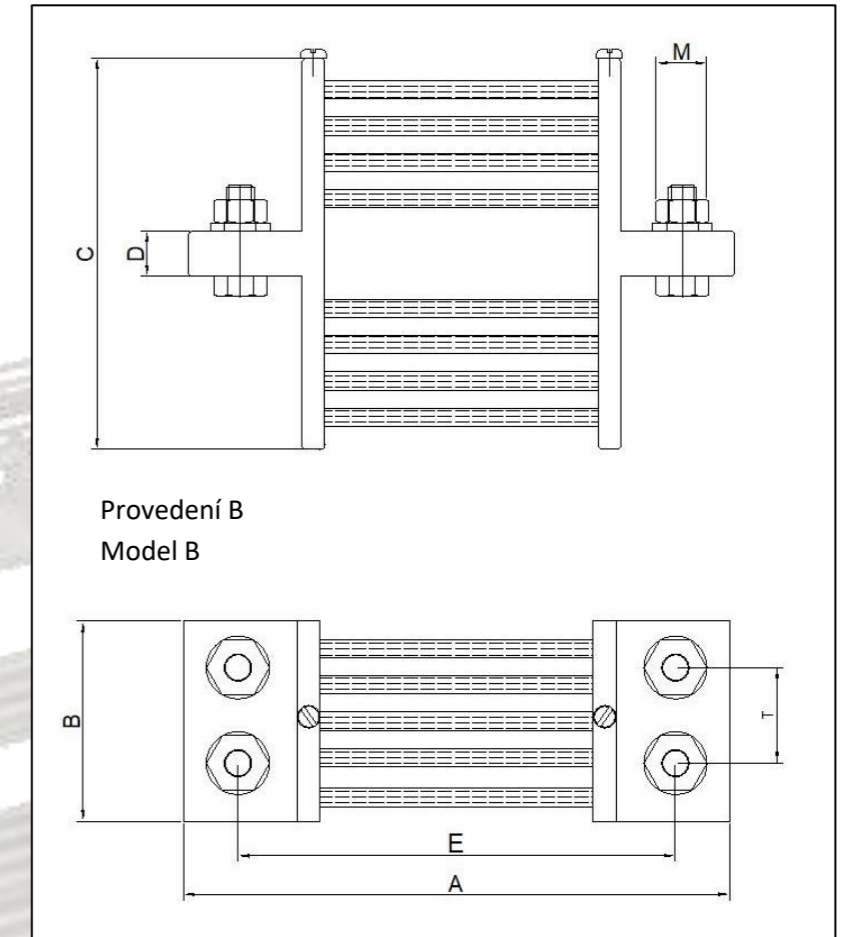
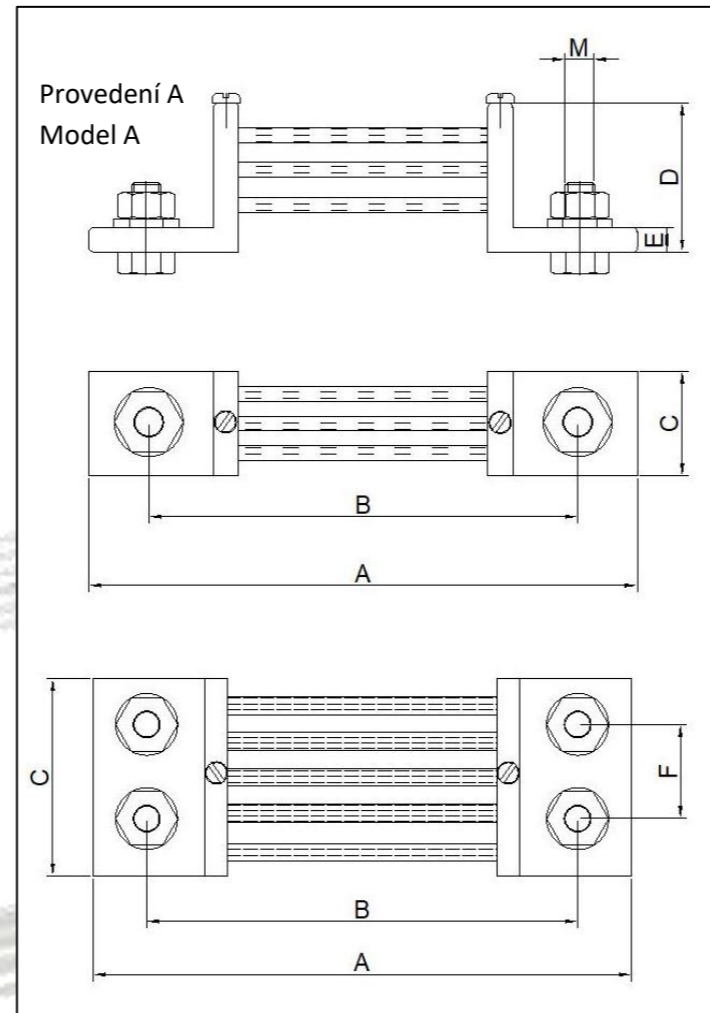
**Accuracy class:** 0,5  
**Operating temperature range:** -20 °C až + 40 °C  
**Transport temperature range:** -25 °C až + 55 °C  
**Storage temperature range:** +5 °C až + 35°C  
**Relative humidity:** should not exceed 75%, absolute humidity should not exceed 15 g/m<sup>3</sup>  
**Air pressure:** 70 to 106 kPa

## Technical - commercial requirements for ordering

- shunt name incl. the data specifying the model i.e. type of shunt, permitted load, voltage drop, accuracy class, eventually special requirements should be consulted and agreed in advance with manufacturer for ex. by sending an enquiry
- unit number
- delivery date
- place of destination, in special cases also type of transportation
- packaging requirements
- bank details and payment terms

# SHUNTS

Provedení Model	Hodnota Value		Rozměry (mm) Dimensions (mm)							Šroub M Screw M	
	Proud (A) Current (A)	Napětí (mV) Voltage (mV)	A	B	C	D	E	F	T	Rozměr Dimension	
C, D	40, 60, 100, 150	60	100	80	20	8	33				M8 x 16
			200	100	72	30	20	8			
250	110		82	40	25					M12 x 30	
300	110		82	40	25					M12 x 30	
400	110		82	40	25					M12 x 45	
600	130		94	40	30					M16 x 50	
A	1 000		136	100	80	42	33				M 16
	1 500		150	108	100	54	38				M 16
	2 000		150	108	100	54	56				M 20
	2 500		190	134	160	80	47				M 20
	3 000		190	134	160	80	47				M 20
B	4 000		150	100	120	20	108		54		M 20
	5 000	210	160	100	25	125		52		M 20	
	6 000	175	154	130	25	125		52		M 20	
	10 000	185	206	170	25	135		52		M 20	
	15 000	185	310	170	25	135		52		M20	
C, D	40, 60, 100, 150	150	225	205	25	8	33				M8 x 16
			200	200	172	40	30				
250	270		230	30	50	10				M 12	
400	270		230	40	50	10				M 16	
600	270		230	40	50	10				M 16	
1 000	226		190	55	80	10				M 16	
B	1 500		290	90	60	15	240		48		M 16
A	2 000		240	198	100	48	65				M 16
B	2 500		290	240	60	15	240		60		M 20
	4 000		300	120	130	25	250		60		M 20
	6 000		300	154	130	25	250		52		M 20
	10 000		310	206	170	30	260		52		M 20
	15 000	310	310	170	30	260		52		M 20	





**METRA BLANSKO s.r.o.**

**Pražská 2536/7**

**678 01 Blansko**

**[www.metra.cz/en/](http://www.metra.cz/en/)  
[mcu@metra.cz](mailto:mcu@metra.cz)**

**+420 602 410 258**

