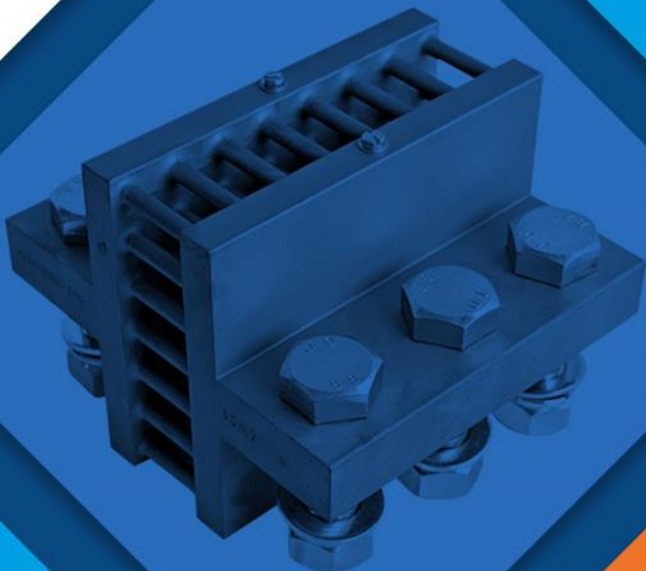


SHUNTS



METRA BLANSKO

Main features

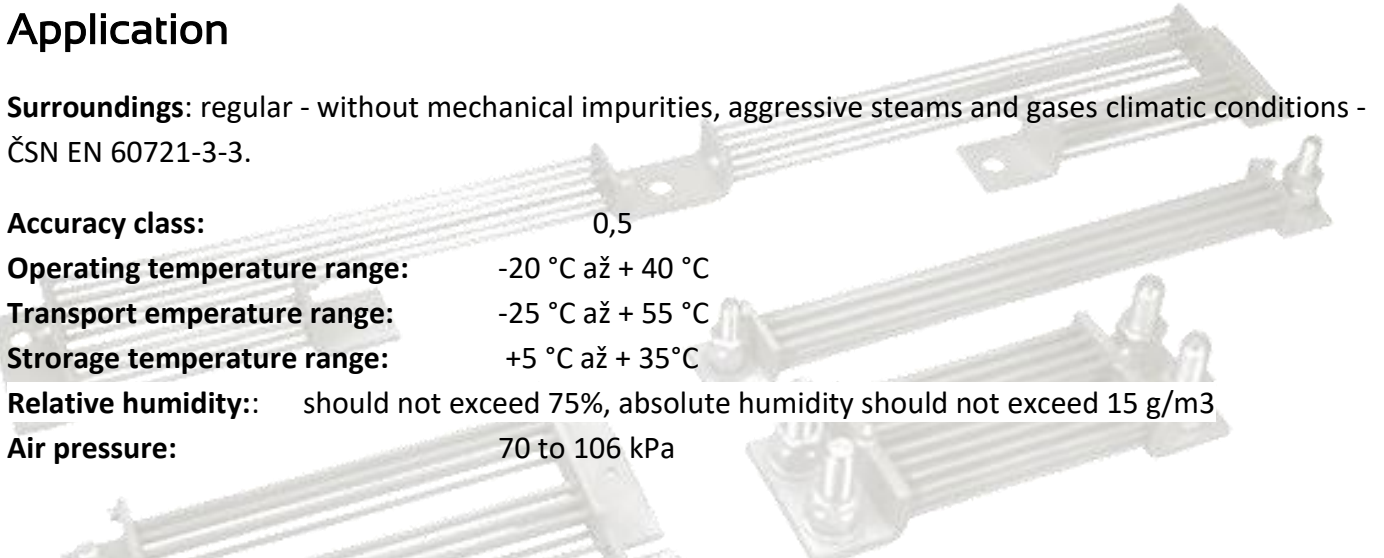
The shunt is a resistor connected in parallel with the measuring instrument so that only a part of the current measured flows through it. This resistor is chosen so that the current division is made in a known ratio. Separately -sold shunts are calibrated by that portion of current which passes through the shunt only. The shunt has its own accuracy class, which is at least one class better than the electric measuring instrument itself and is used for connection to specific types of instrument. By their application shunts comply with the **ČSN EN 60051-1 ed.2.**

Design

Shunts are made in 4 basic models A- D. Models D are connected to the insulating base which is compatible with DIN rail. Shunts are delivered with the voltage drop 50 – 300 mV.

Application

Surroundings: regular - without mechanical impurities, aggressive steams and gases climatic conditions - ČSN EN 60721-3-3.



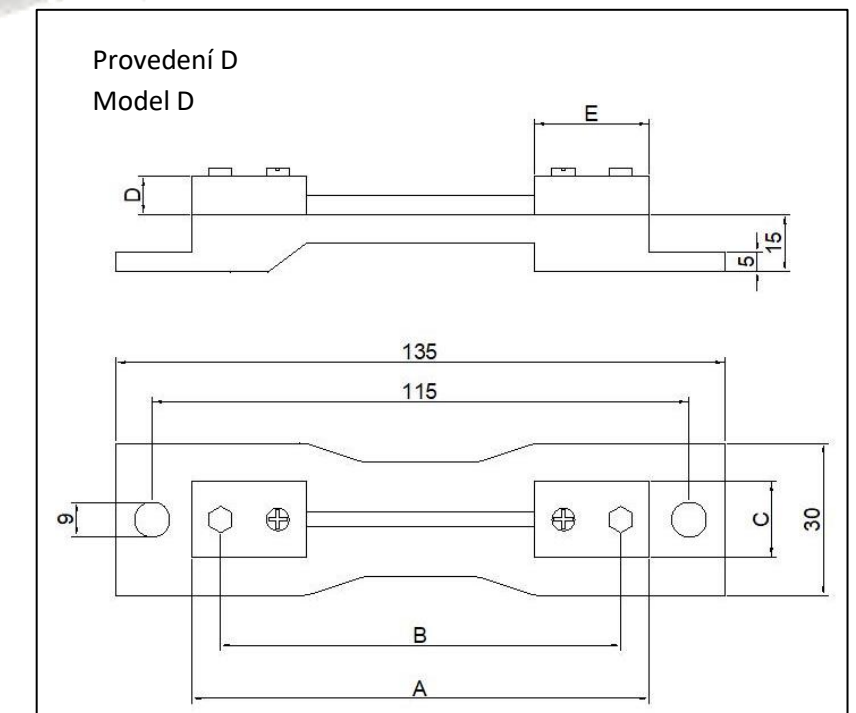
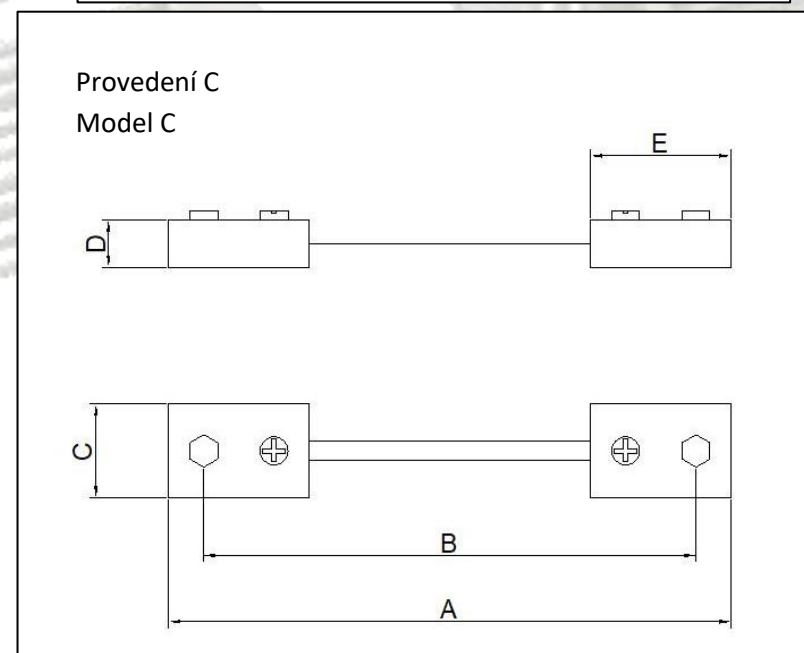
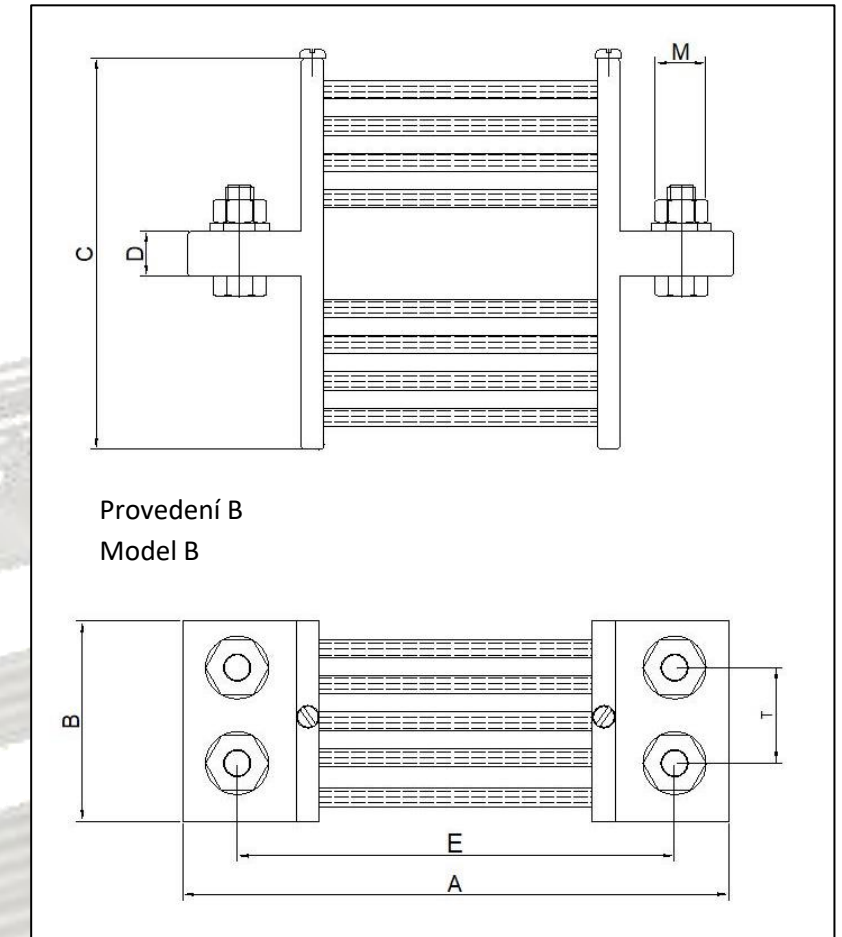
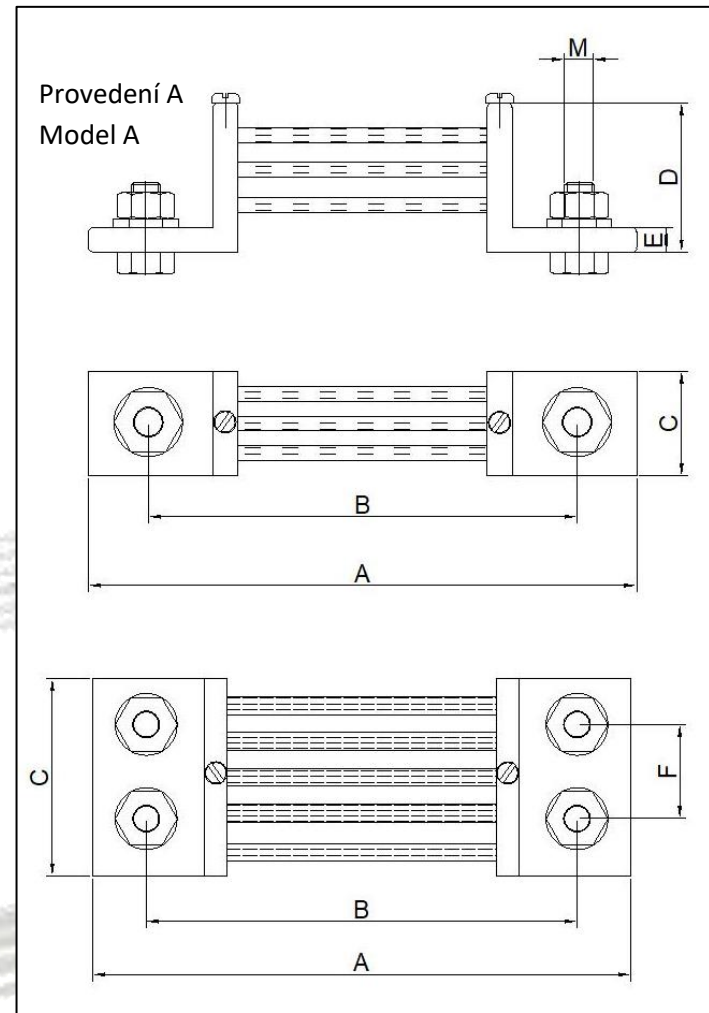
Accuracy class:	0,5
Operating temperature range:	-20 °C až + 40 °C
Transport emperature range:	-25 °C až + 55 °C
Storage temperature range:	+5 °C až + 35°C
Relative humidity::	should not exceed 75%, absolute humidity should not exceed 15 g/m ³
Air pressure:	70 to 106 kPa

Technical - commercial requirements for ordering

- shunt name incl. the data specifying the model i.e. type of shunt, permitted load, voltage drop, accuracy class, eventually special requirements should be consulted and agreed in advance with manufacturer for ex. by sending an enquiry
- unit number
- delivery date
- place of destination, in special cases also type of transportation
- packaging requirements
- bank details and payment terms

SHUNTS

Provedení Model	Hodnota Value		Rozměry (mm) Dimensions (mm)							Šroub M Screw M	
	Proud (A) Current (A)	Napětí (mV) Voltage (mV)	A	B	C	D	E	F	T	Rozměr Dimension	
C, D	40, 60, 100, 150	60	100	80	20	8	33				M8 x 16
			200	100	72	30	20	8			M 12
			250	110	82	40	25				M12 x 30
			300	110	82	40	25				M12 x 30
			400	110	82	40	25				M12 x 45
A	600	60	130	94	40	30				M16 x 50	
			1000	136	100	80	42	33			M 16
			1500	150	108	100	54	38			M 16
			2000	150	108	100	54	56			M 20
			2500	190	134	160	80	47			M 20
A	3000	60	190	134	160	80	47			M 20	
			4000	150	100	120	20	108	54		M 20
			6000	175	154	130	25	125	52		M 20
			10000	185	206	170	25	135	52		M 20
			15000	185	310	170	25	135	52		M20
C, D	40, 60, 100, 150	150	225	205	25	8	33				M8 x 16
			200	200	172	40	30				M 10
			250	270	230	30	50	10			M 12
			400	270	230	40	50	10			M 16
			600	270	230	40	50	10			M 16
A	1000	150	226	190	55	80	10				M 16
			1500	290	90	60	15	240	48		M 16
			2000	240	198	100	48	65			M 16
			2500	290	240	60	15	240	60		M 20
			4000	300	120	130	25	250	60		M 20
B	6000	150	300	154	130	25	250	52		M 20	
			10000	310	206	170	30	260	52		M 20
			15000	310	310	170	30	260	52		M 20





METRA BLANSKO s.r.o.

Pražská 2536/7

678 01 Blansko

**www.metra.cz/en/
mcu@metra.cz**

+420 602 410 258

